



CANADA

6575 Kestrel Road
Mississauga, ON L5T 1P4

USA

2799 Reeves Road
Plainfield, IN, 46168

For more information:

800-899-0427

www.mtpi.com

Scan the QR code to the right to
save this info to your contacts!

QR (Contact Info)





MADE-TO-ORDER DRIVESHAFTS



MADE-TO-ORDER DRIVESHAFTS

We've got you covered.

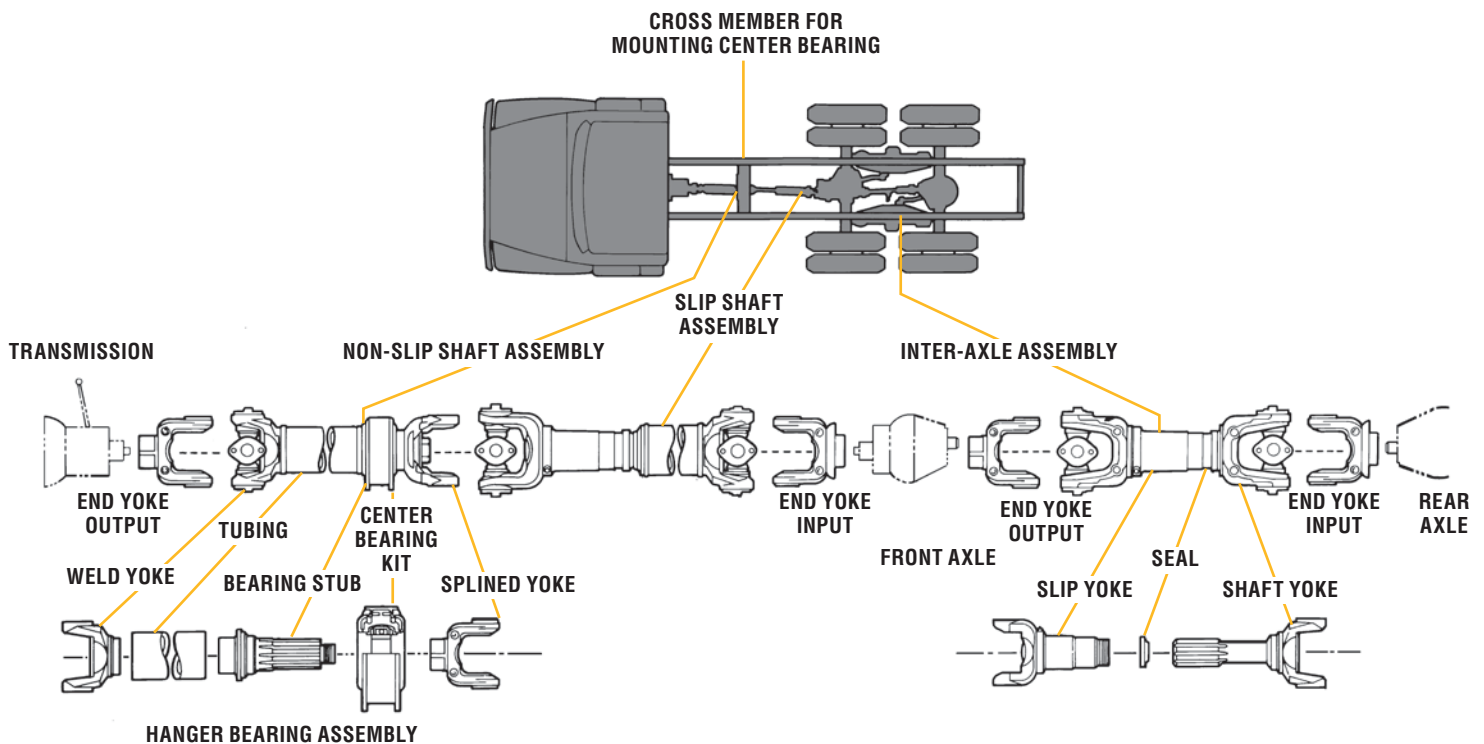
Mascot Truck Parts has a strong knowledge of our customers and their application needs. That's why we're confident in the superior products and service we provide to the commercial vehicle industry. As one of the largest driveline assemblers for the aftermarket, we supply our customers with a broad range of made-to-order driveline assemblies.

- Mascot is ISO 9001 certified
- Driveline assemblies utilize all new components
- Our strict balance tolerances minimize vibrations

Mascot is committed to supporting you through an extensive distribution network with service partners throughout North America. From our founding in 1936 in Toronto, Canada, through today, our presence in North America has continued to grow. Plus, our centralized ordering system makes it easy for you to get exactly what you need, when you need it.

For additional details, see your local Mascot Truck Parts dealer.

Driveline components.



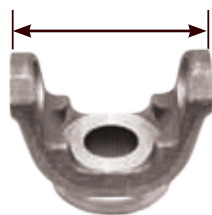
Order information.

ALL MAKES PART NUMBERS	DESCRIPTION
1710HB	1710 Hanger Bearing Assembly
1710IA	1710 Inter-Axle Assembly
1710SS	1710 Slip Shaft Assembly
1760HB	1760 Hanger Bearing Assembly
1760SS	1760 Slip Shaft Assembly
1810HB	1810 Hanger Bearing Assembly
1810SS	1810 Slip Shaft Assembly
20RPLHB	20 RPL Hanger Bearing Assembly
20RPLIA	20 RPL Inter-Axle Assembly
20RPLSS	20 RPL Slip Shaft Assembly
25RPLHB	25 RPL Hanger Bearing Assembly
25RPLSS	25 RPL Slip Shaft Assembly
SPL170HB	SPL170 Hanger Bearing Assembly
SPL170IA	SPL170 Inter-Axle Assembly
SPL170SS	SPL170 Slip Shaft Assembly
SPL250HB	SPL250 Hanger Bearing Shaft Assembly
SPL250SS	SPL250 Slip Shaft Assembly

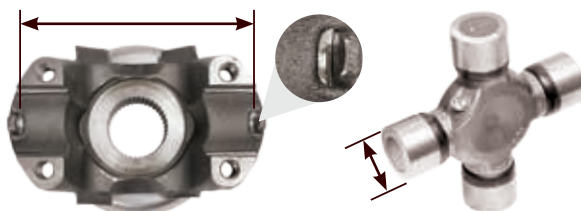
Ordering Instructions

1. Determine which series of driveline you have by making the yoke measurements shown below.
2. Determine the type of assembly by using this table and the part drawings on the previous page.
3. Determine the length of the driveline by making the measurements shown below.

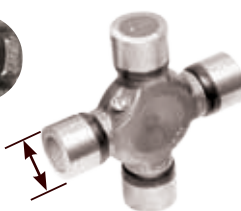
Provide dimensions to order complete shafts.



Full Round End Yoke
Distance Across the Ears



Half Round End Yoke
Distance Between the Tabs



U-Joint
Bearing Cap Diameter



Measurement A - Measure distance between the joint centers as shown

Measurement B - Measure distance across the yoke lugs as shown

SERIES	DISTANCE ACROSS THE EARS (Inches)	DISTANCE BETWEEN TABS (Inches)	BEARING CAP DIAMETER (Inches)
1000	N/A	N/A	.938
1100	2.656	N/A	.938
1210	2.438	N/A	1.062
1240	2.875	N/A	1.125
1310	3.469	3.219	1.062
1330	3.875	3.625	1.062
1340	3.953	N/A	1.250
1350	3.875	3.625	1.188
1410	4.438	4.188	1.188
1480	4.438	4.188	1.375
1550	5.250	4.969	1.375
1610	5.312	5.312	1.875
1710	6.094	6.190	1.938
1760	7.000	7.094	1.938
1810	7.547	7.643	1.938
1880	8.094	N/A	2.188
SPL140	N/A	5.457	1.938
SPL170	N/A	6.456	2.166
SPL250	N/A	6.412	2.362
SPL90	N/A	4.957	1.625